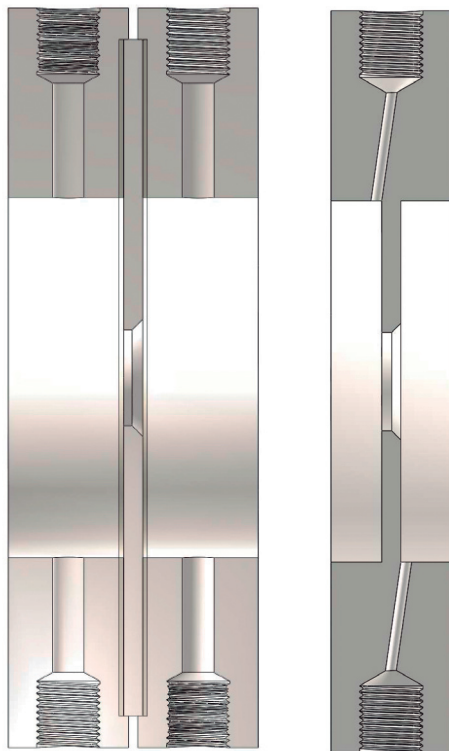


FLOW

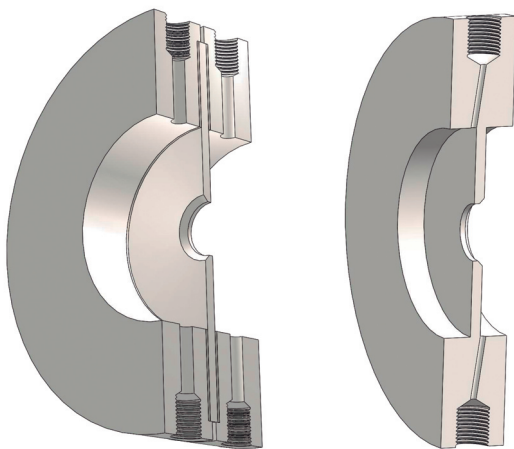
Integrated Orifice plate with pressure taps

DESCRIPTION: Differential pressure flow measurement is widely used due to its excellent relationship between installation costs, maintenance and performance. The new characteristics of differential pressure transmitters, increasingly precise and capable of integrating a greater number of process variables, confirm the validity of this type of meter.



RINGS

INTEGRAL



APPLICATIONS

- Flow measurement in clean liquids, gases and low-pressure steam.
- For all types of industrial plants such as:
 - Energy generation.
 - Chemical and petrochemical industries.
 - Renewable energy.
 - Food industry.
 - Water treatment.

DESIGN

- Calculation standards:	ISO 5167-2 ASME MFC-3M
- Materials:	Carbon Steel, stainless Steel and high alloys (other materials on request).
- Size of Manufacture:	2" - 40"
- Flange finishes:	RF, FF, RTJ.

SPECIFICATIONS

- Beta:	0.1 - 0.75
- Reynolds:	≥ 5000 y $\geq 170\beta^2D$
- Accuracy:	1 - 2%

NOTES

- **Maximum operating temperature:** According to the rating of the flanges, pipe thickness and materials used.
- **Maximum operating pressure:** According to the flange rating, pipe thickness and materials used.